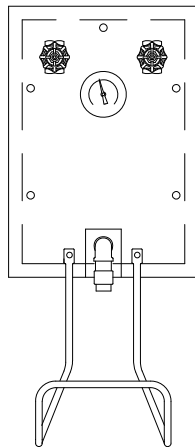
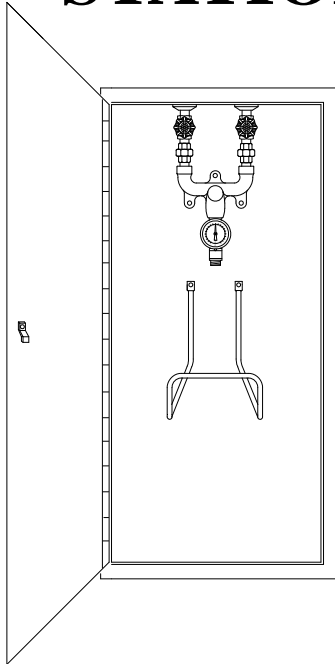


# INDUSTRY HOSE STATIONS



## STAINLESS STEEL HOSE STATION

**CT-75-LF**

**CT-75-D-LF**

**CTH-75-D-LF**

## MANUAL BLENDERS

**Mix hot & cold water or steam and cold water**

### \_\_ CTH-75-D-LF CABINET

- Manual Blender, all #316 stainless steel construction
- 3/4" IPS inlets will control hot and cold water or steam and water
- Two stop and check valves with color coded heat resistant handles on inlets, all stainless steel
- Mixing chamber with jet, (#316 stainless steel)
- Integral wall support
- 3/4" outlet with dial thermometer (20 to 240°F, -5 to 115°C)
- Stainless steel hose rack (will support up to 35' of hose in cabinets assemblies only)
- Recessed cabinet with door, hinge and lock, body 16 gauge stainless steel, door and flange 12 gauge stainless steel #4 finish, top inlets.
- 40 PSI (2.8 bar) minimum operating pressure
- 80 PSI (5.5 bar) maximum operating steam pressure
- 125 PSI (8.6 bar) maximum operating water pressure

### \_\_ CT-75-D-LF CABINET

- Panel-type recessed stainless steel cabinet, body 18 gauge stainless steel, cover 14 gauge stainless steel, #4 finish. Top inlets. Hose rack mounts on front cover, same as above but panel mount.

### \_\_ CT-75-LF CABINET

- Same as above less dial thermometer.

### OPTIONS

\_\_ WHL- wing handle latch



**NOTE: ESS-Exposed type cabinet NOT AVAILABLE AS OF 10/22/2012**

**NOTE: Vacuum breakers NOT available**

**NOTE: Hose and nozzle not included. If required, please attach separate submittal sheet.**

**This product is Third Party certified to meet Low Lead requirements of wetted surface area containing less than 0.25% lead by weight**

Engineer's Approval	Job # _____
	Arch/Eng. _____
	Contractor _____



**WARNING:** This product can expose you to chemicals including lead, which is known to the State of California to cause cancer. For more information, go to [www.P65Warnings.Ca.gov](http://www.P65Warnings.Ca.gov)



1360 Elmwood Avenue, Cranston, RI 02910 USA

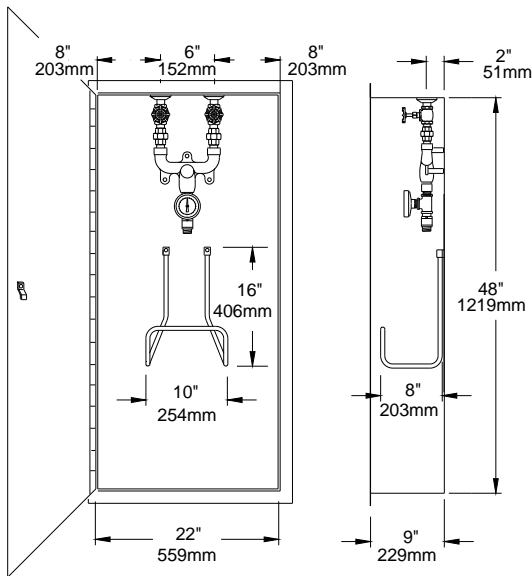
Phone: 401.461.1200 Fax: 401.941.5310

Email: [info@leonardvalve.com](mailto:info@leonardvalve.com)

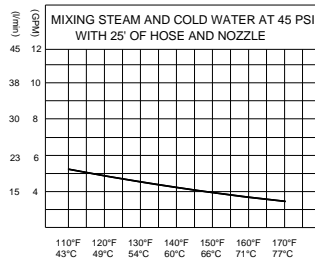
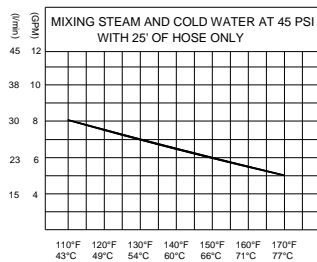
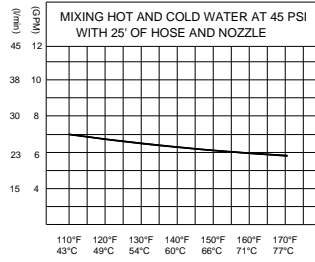
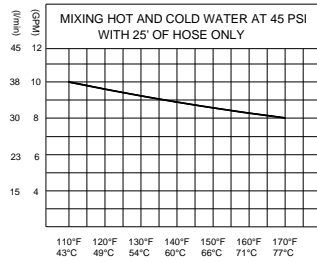
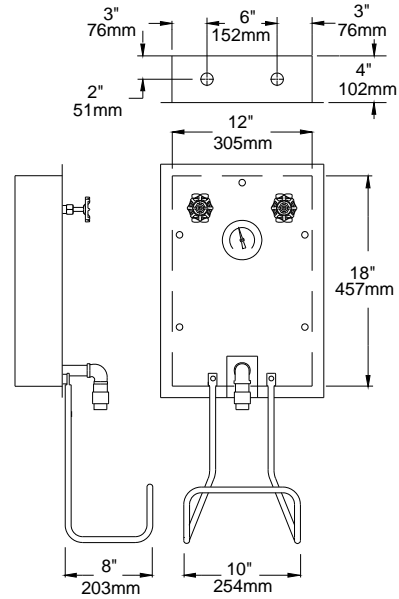
Web Site: <http://www.leonardvalve.com>

# MANUAL STEAM & WATER BLENDERS

**CTH-75-D-LF**



**CT-75-D-LF**



**NOTE:** Hose and nozzle not included. If required, please attach separate submittal sheet.

**NOTE:** Leonard Valve Company reserves the right of product or design modifications without notice or obligation.

**Engineer's Approval**



1360 Elmwood Avenue, Cranston, RI 02910 USA

Phone: 401.461.1200 Fax: 401.941.5310

Email: [info@leonardvalve.com](mailto:info@leonardvalve.com)

Web Site: <http://www.leonardvalve.com>

© 2018 Leonard Valve Company  
Printed in USA